

Vertically Stacking Chromstar Single Channel TV Antennas

Chromstar cut-to-channel antennas are designed to provide high uniform gain, sharp directivity and excellent front-to-back ratio on a single VHF TV channel.

These antennas can be used anywhere. It is essential to receive a maximum amount of interference-free signal off the air.

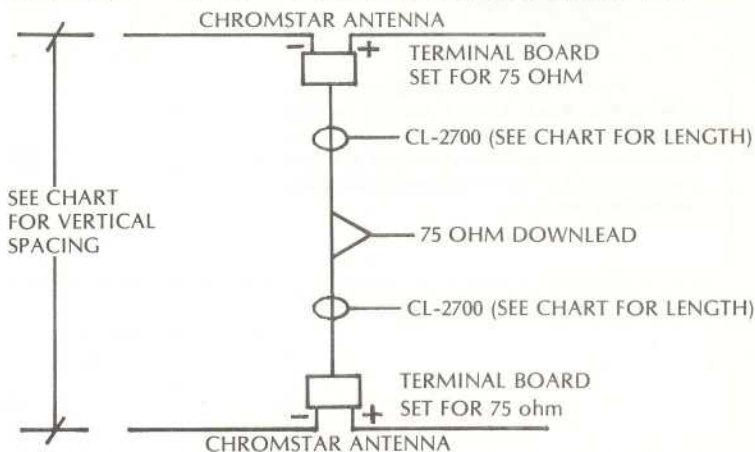
In MATV systems, cut-to-channel Chromstar antennas provide the high quality signals required as well as individual downloads for each channel received. The extremely rugged construction of Winegard Chromstar antennas also supplies the dependability, long life and maintenance-free operation required in MATV installations.

Winegard Chromstar cut-to-channel antennas are designed to meet the exacting requirements of MATV but are priced well within the reach of even modest installations - and are often cheaper than rotor installations.

Dale Hemmie, technical services manager, has provided this step-by-step procedure for the correct installation of stacking Chromstar single channel antennas.

Stacking Instructions

1. Unfold both antennas.
2. Set terminal boards for 75 ohm output.
3. Attach a piece of CL-2700 (precut to proper length) to each terminal board.
4. Close up housing on each antenna.
5. Mount upper antenna on mast.
6. Mount CC-787 below the upper antenna one-half of the vertical spacing dimension (see spacing chart).
7. Connect the CL-2700 cable from the upper antenna to "set 1" jack of the CC-787 coupler and tape cable to mast.
8. Mount lower antenna on mast at proper distance below upper antenna (see spacing chart).
9. Connect the CL-2700 cable from the lower antenna to "set 2" jack of the CC-787 coupler and tape cable to mast.



10. If a preamp is not required, the download can be connected directly to the "antenna" jack on CC-787 coupler.
11. If a preamp is required, then a third length of CL-2700 is needed to connect between "antenna" jack of CC-787 and "VHF input" jack of an AH-0300 below lower antenna.

12. Mount AH-0300 below lower antenna.

13. Tape cable to mast to prevent wind whipping.

14. Selecting preamp.

A. AC-2950: Recommended for Metropolitan and any area where strong local TV stations are present.

B. AC-9260: Recommended for channel 2 through channel 6 stacks in fringe areas, where no strong TV stations are present.

C. AC-9730: Recommended for channel 7 through channel 13 stacks in fringe areas, where no strong TV stations are present.

Equipment Required

1. Two single channel Chromstar antennas
2. One CC-787 coupler
3. Mast
4. Two (2) pieces of CL-2700 cable, cut to length shown below.

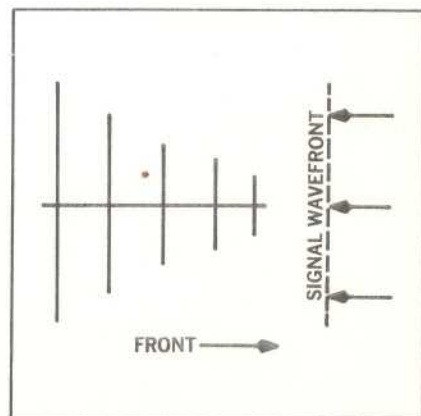
Spacing and Cable Lengths

Channel	Vertical Spacing	CL-2700 Length
2	145"	85"
3	130"	76.5"
4	120"	69.5"
5	105"	60.5"
6	100"	56.0"
7	48"	52.0"
8	46"	51.0"
9	44.5"	49.5"
10	43.5"	48.0"
11	42.25"	46.5"
12	41.0"	45.0"
13	40.0"	43.5"

Special Notes

A. TP series traps are available for reducing a strong TV or FM station. The traps mount inside the cartridge housing and lower the signal level before it enters the amplifier.

B. Contact the Winegard Technical Services Department if you have a question, or a special reception requirement.



Top view of a typical Yagi antenna.

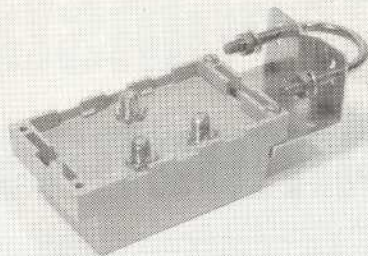
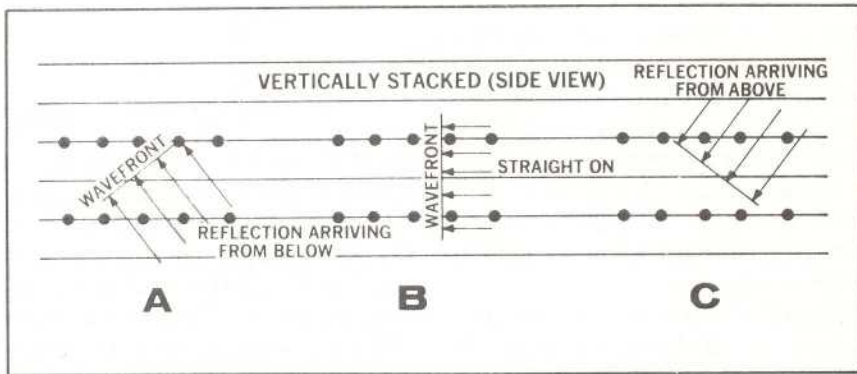
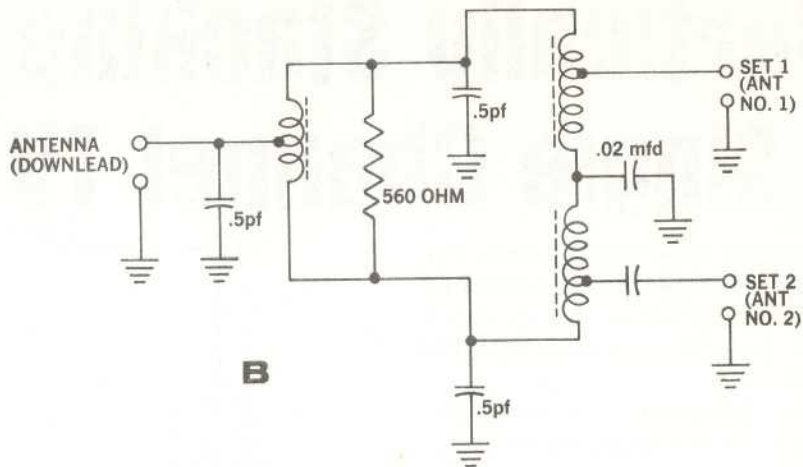


Photo (A) and schematic diagram (B) of a Winograd Model CC-787 two-set coupler which, although designed and used principally for connecting two TV receivers to a single download, can be used to combine the outputs of two stacked antennas.



Side views of vertically stacked Yagi antennas showing relationship of antenna elements and arriving signals. A) Signal reflected from below. B) Signal received straight from source. C) Signal reflected from above.